

ORDERING INFORMATION CONTINUED

EBW® Series Below Grade Spill Containers

Model	Description
70547401BLK*	Below grade spill container, 5 gallon capacity, with drain, NPT threads, 18" x 8" manway with black composite cover
70547402BLK*	Below grade spill container, 5 gallon capacity, without drain, NPT threads, 18" x 8" manway with black composite cover
70549201BLK**	Below grade spill container, 5 gallon capacity, with drain, NPT threads, 18" x 8" manway with black composite cover (CARB approved)
70549202BLK**	Below grade spill container, 5 gallon capacity, without drain, NPT threads, 18" x 8" manway with black composite cover (CARB approved)
71547401BLK*	Below grade spill container, 15 gallon capacity, with drain, NPT threads, 18" x 8" manway with black composite cover
71547402BLK*	Below grade spill container, 15 gallon capacity, without drain, NPT threads, 18" x 8" manway with black composite cover
71549201BLK**	Below grade spill container, 15 gallon capacity, with drain, NPT threads, 18" x 8" manway with black composite cover (CARB approved)
71549202BLK**	Below grade spill container, 15 gallon capacity, without drain, NPT threads, 18" x 8" manway with black composite cover (CARB approved)



*ULC listed, MH21091

**CARB Phase 1 EVR approved, VR-101

EBW® Series Manway Covers

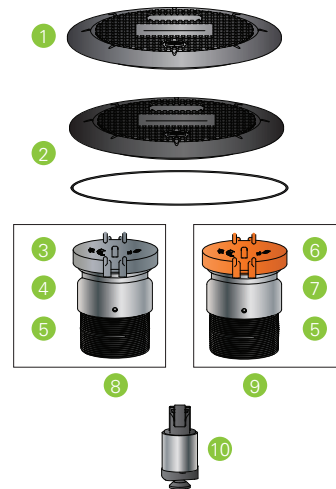
Replace the last letters in any standard spill container part number for these cover options.

Model	Description	Model	Description
BLK	Black composite	YEL	Yellow composite
WHT	White composite	ORG	Orange composite
RED	Red composite	STL	Steel

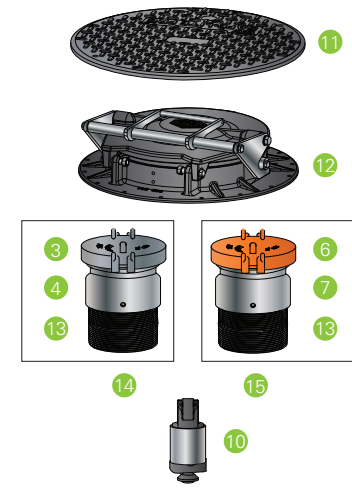
EBW® Series Spill Container Replacement Parts

#	Model	Description
1	70542301	Cover, composite (black)
2	70544011	Cover, cast iron w/gasket (black)
3	77720102	Top seal fill cap
4	SWF-100-SS	Fill swivel adapter
5	70521307	4" x 3" close nipple
6	30430103	Top seal vapor cap
7	SWV-101-SS	Vapor swivel adapter
8	70541202	Fill riser, cap, and adapter kit for grade level spill containers
9	70541302	Vapor riser, cap, and adapter kit for grade level spill containers
10	70533219*	Pull-to-push drain valve kit
11	78130401	Cover, 18", fiberglass (black)
12	71040114 71040201	Lock down cover w/ base Lock down cover w/o base
	71520201	Spare lift handle assembly
13	70521305	4" x 5" close nipple
14	70541201	Fill riser, cap, and adapter kit for below grade spill containers
15	70541301	Vapor riser, cap, and adapter kit for below grade spill containers

Grade Level



Below Grade



*CARB approved model (P/N 70533719) also available.